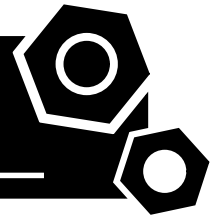


Generator set
Containerized type
WPS900S-AU

SPECIFICATIONS



1 Standards & Conditions

Design Standards

The designs and the productions are in conformity with:

- Conformance European (CE)
- China Compulsory Certification (CCC)
- TLC Quality Certification (TLC)
- ISO8528-1995
- GB/T2820-1997
- AS 3000-1997
- AS 3010.1-1988

Environmental Operating Conditions

- Installation place: Outdoors or indoors (well ventilated).
- Ambient temperature: -25°C to 50°C. The coolant heater is needed when the temperature is below 5°C
- Humidity: Less than 90%.
- Altitude: Below one thousand (1000) meters above sea Level.

Factory Inspection

- Inspection items.
- Protection devices working test.
- Starting ability in normal temperature.
- 50% rated power load moment capability.
- Voltage deviation and speed variation: 0%, 25%, 50%, 75%, 100%, 110% Load.

Painting Process

- Painting process specifications and colors are based on the manufacturer's standard.
- The customer could also choose the color which the manufacturer offers.

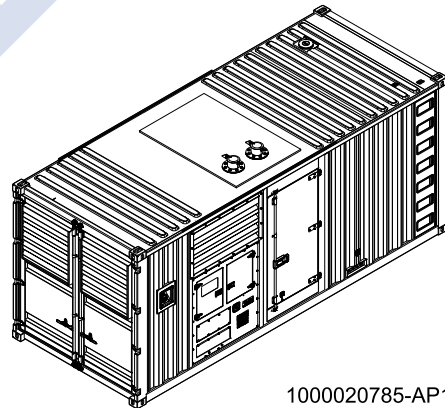
2 General Features

- Perkins engine 4008TAG2A
- Close coupled to a Leroy Somer alternator LSA49.1L10
- Microprocessor control module PLC-5220
- ABB main circuit breaker: 3-Phase 1600A
- Rotate speed governor: Electronic fuel injection governor
- Excitation System: AREP
- A.V.R.Model: R448

- Key switch
- Emergency stop switch
- ATS (automatic transfer switch) receptacle
- Remote run connextor
- 2x12V sealed for life maintenance free battery
- Lockable battery isolator switch
- Powder coated canopy
- 50°C radiator
- Oil pump on the engine
- Non-returning valve for fuel inlet hose of the engine
- Steel base frame with forkslots
- Vibration isolators between the engine/alternator and base frame
- Dry type air filter
- Base fuel tank for 8 hours running
- Drain points for fuel tank
- Breather valve for fuel tank
- Operation Manual / Parts List / Specifications

3 Equipment Specification

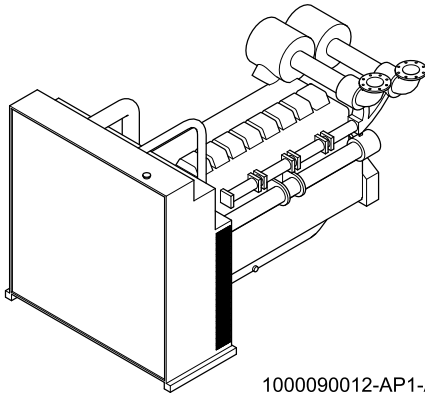
General technical data



1000020785-AP1-A1

Model.....	WPS900S-AU
Structure type	C
Tank capacity.....	1150L
Dry weight.....	11127.7kg
Noise level @7m	N/A
Dimensions L×W×H.....	6058x2438x2730mm
Standby Power	990kVA/792kW
Prime Power	900kVA/720kW
Voltage/Ampere	415V/1252A

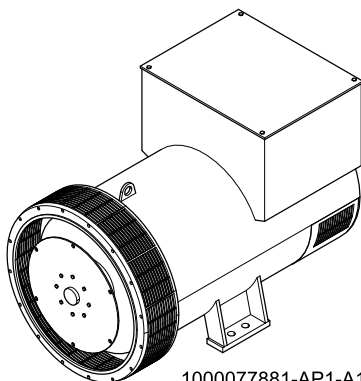
Diesel Engine



1000090012-AP1-A7

Engine Manufacturer/Brand.....	Perkins
Engine Model.....	4008TAG2A
Dimensions L×W×H.....	3711×2046×2146mm
Dry Weigh (approx.).....	4320kg
Number of Cylinders.....	8
Bore.....	160mm
Stroke.....	190mm
Displacement.....	30.56L
Compression Ratio.....	13.6
Type of Injection.....	Direct injection
Intake System.....	Turbocharged
Intake Resistance.....	≤3.7kPa
Cooling System.....	Water cooled
Fan.....	Pusher
Battery Voltage.....	24V
Type of Fuel.....	BS2869 class A2 or BS EN590
Type of Oil.....	API 15W/40
Oil Capacity.....	153L
Type of Coolant.....	Glycol mixture
Coolant capacity.....	149L
Back Pressure.....	≤8.0kPa
Standby Power.....	.985kW
Continuous Power.....	.899kW
Fuel Consumption(100%load).....	.220L/h

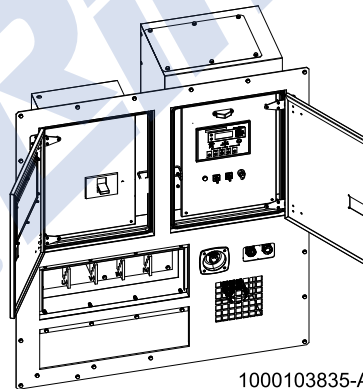
Alternator



1000077881-AP1-A1

Alternator Manufacturer/Brand.....	Leroy Somer
Alternator Model.....	LSA49.1L10
Exciter.....	Brushless
Cooling Fan.....	Cast alloy aluminum
Windings.....	100% copper
Insulation Class.....	H
Winding Pitch.....	.2/3
Terminals.....	6
Drip Proof.....	IP23
Altitude.....	≤1000m
Overspeed.....	2250rpm
Air Flow.....	1m³/s(50Hz), 1.2m³/s(60Hz)
Voltage Regulation.....	±0.5%
Total harmonic TGH / THC at no load < 4 % - on load < 4 %	
Telephone Interference.....	THF<2%;TIF<50

PLC-5220 Control System



1000103835-AP1-A1

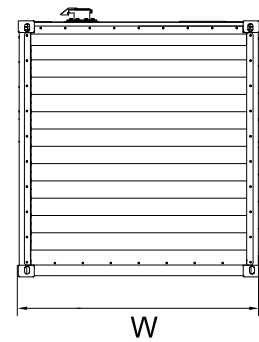
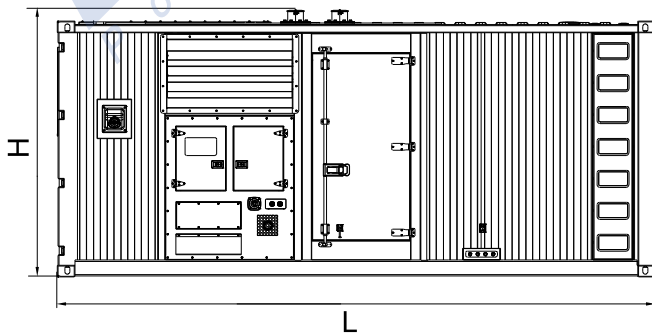
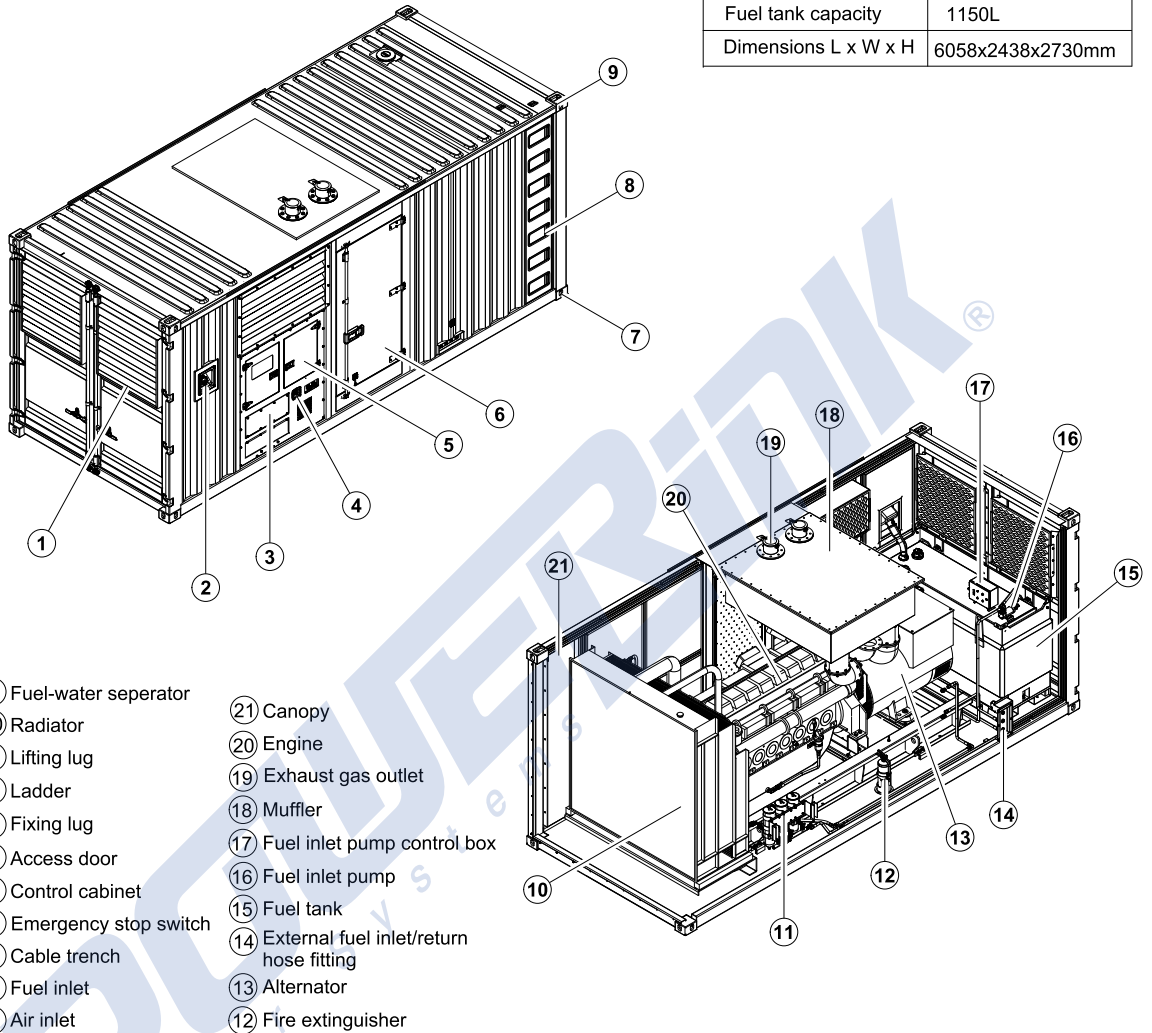
PLC-5220 is an automatic mains failure control module. It is used to monitor the mains supply and automatically start and stop the engine. The module indicates the operational status and fault conditions, automatically shutting down the engine and indicating engine failure on the LCD.

- Microprocessor control, with high stability and credibility
- Mains supply and generator operation monitoring
- Indicating operation status and fault conditions
- Multiple protections; multiple parameters display, like pressure, temp.
- Manual and automatic work mode selectable
- Real time clock for time and date display, overall runtime display, 99 log entries
- Overall power output display
- Integral speed/frequency detecting, telling status of start, rated operation, overspeed
- Communication with PC via RS485 OR RS232 interface, using MODBUS protocol

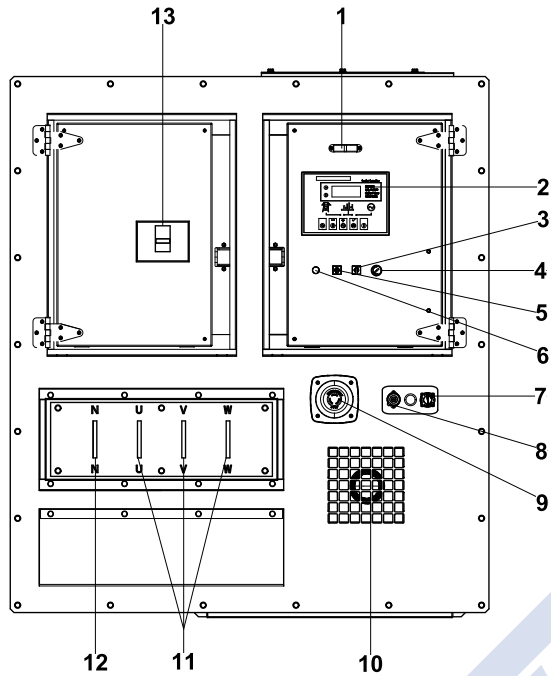
4 Overall Dimensions

1000020785-DR1-A1

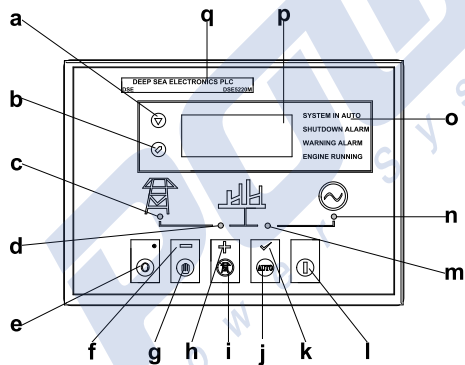
Dry weight	11127.7kg
Fuel tank capacity	1150L
Dimensions L x W x H	6058x2438x2730mm



5 Control System



Control Cabinet



Control Panel

Ref.	Description
1	Control panel lamp
2	PLC-5220 control module
3	Control panel lamp switch
4	Key switch
5	Mains input changeover switch
6	Charge indicator
7	ATS connector
8	Remote run connector
9	Emergency stop button
10	Alarm indicator
11	Live wire terminals
12	Neutral wire terminal
13	Main circuit breaker

a	Scroll button
b	Information button(Change the display page)
c	Mains supply available LED
d	Mains supply on load LED
e	Stop/Reset button
f	Decrease (Configuration mode only)
g	Manual button (Manual control mode)
h	Increase (Configuration mode only)
i	Test button (Test mode)
j	Auto button (Auto mode)
k	Accept (Configuration mode only)
l	Start button
m	Genset on load LED
n	Genset available LED
o	Text insert
p	LCD display
q	Control module name

1000020785-A1-E
11.2010

POWERLINK
Power Systems

Power Link Machine (Shanghai) Co., Ltd
NO.576,Guanghua Road, Songjiang Science & Technology
Park,
Shanghai,China

Fax:86-21-57858750

E-mail:info@powerlinkgenset.com

Tel: 86-21-57858485

Specification may change without prior notice.

For more info., please contact Power Link or your local distributors.

Local Distributor

