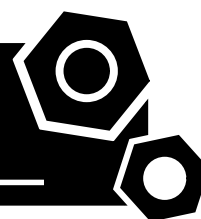


Generator set
Sound-proof type
WPS600S

SPECIFICATIONS



1 Standards & Conditions

Design Standards

The designs and the productions are in conformity with:

- Conformance Européenne (CE)
- China Compulsory Certification (CCC)
- ISO8528-5:2005
- GB/T2820.5-2009

Environmental Operating Conditions

- Installation place: Outdoors or indoors (well ventilated).
- Ambient temperature: -25°C to 45°C. The coolant heater is needed when the temperature is below 5°C
- Humidity: Less than 80%.
- Altitude: Below one thousand (1000) meters.

Factory Inspection

- Inspection items.
- Protection devices working test.
- Starting ability in normal temperature.
- 50% rated power load moment capability.
- Voltage deviation and speed variation: 0%, 25%, 50%, 75%, 100%, 110% Load.

Painting Process

- Painting process specifications and colors are based on the manufacturer's standard.
- The customer could also choose the color which the manufacturer offers.

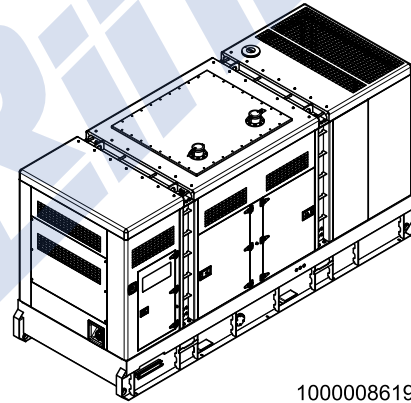
2 General Features

- Perkins engine 2806C-E18TAG1A
- Close coupled to a Leroy Somer alternator LSA47.2L9
- Microprocessor control module PLC-920
- DMA main circuit breaker: 1000A
- Rotate speed governor: Electronic fuel injection governor
- Excitation System: AREP
- A.V.R.Model: R448
- Key switch
- Emergency stop switch
- ATS (automatic transfer switch) receptacle
- 2x12V/150AH sealed for life maintenance free battery

- Lockable battery isolator switch
- Powder coated canopy
- 50°C radiator
- Oil pump on the engine
- Steel base frame with forklifts
- Vibration isolators between the engine/alternator and base frame
- Dry type air filter
- Base fuel tank for 6 hours running
- Drain points for fuel tank
- Operation Manual / Specifications

3 Equipment Specification

General technical data

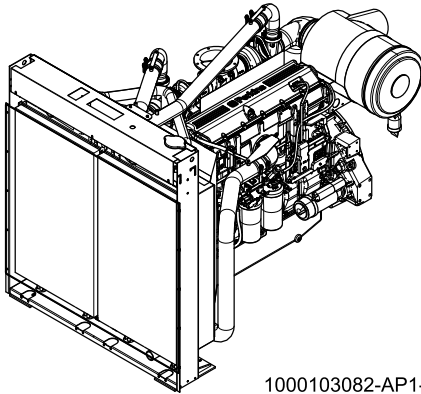


1000008619-AP1-B2

Model..... WPS600S
 Structure type R
 Tank capacity.....945L
 Dry weigh..... 6427kg
 Noise level @7m N/A
 Dimensions L×W×H..... 4692x1740x2516mm
 Standby Power 660kVA/528kW
 Prime Power..... 600kVA/480kW

Voltage	380V	400V	415V	440V	
Ampere	912A	866A	835A	787A	
Genset Fuel Consumption					
Frequency/Load	25%	50%	75%	100%	110%
50Hz (L/h)	N/A	63	96	129	135

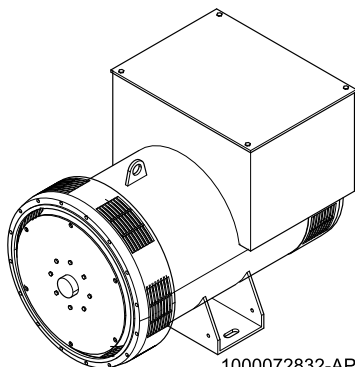
Diesel Engine



1000103082-AP1-A1

Engine Manufacturer/Brand.....	Perkins
Engine Model.....	2806C-E18TAG1A
Dimensions L×W×H.....	2545×1536×1807.5mm
Dry Weigh (approx.).....	2050kg
Number of Cylinders.....	6
Bore.....	145mm
Stroke.....	183mm
Displacement.....	18.13L
Compression Ratio.....	14.5
Type of Injection.....	MEUI
Intake System.....	Turbocharged, air-to-air charge cooled
Intake Resistance.....	≤6.35kPa
Cooling System.....	Water cooled
Fan.....	Pusher
Battery Voltage.....	24V
Type of Fuel.....	BS2869 class A2 or BS EN590
Type of Oil.....	15W40
Oil Capacity.....	62L
Type of Coolant.....	Glycol Mixture
Coolant capacity.....	61L
Back Pressure.....	≤6.9kPa
Standby Power.....	583.8kW
Prime Power.....	532.0kW
Fuel Consumption(100%load).....	216g/kW.h

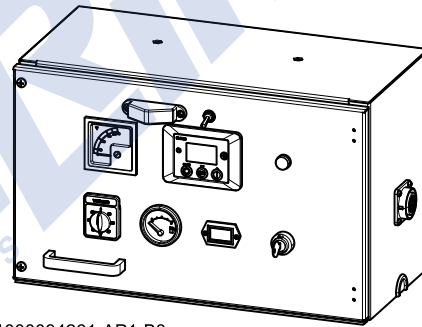
Alternator



1000072832-AP1-A1

Alternator Manufacturer/Brand.....	Leroy Somer
Alternator Model.....	LSA47.2L9
Exciter.....	Brushless
Cooling Fan.....	Cast alloy aluminum
Windings.....	100% copper
Insulation Class.....	H
Winding Pitch.....	2/3
Terminals.....	12
Drip Proof.....	IP23
Altitude.....	≤1000m
Overspeed.....	2250rpm
Air Flow.....	0.9m³/s(50Hz), 1.1m³/s(60Hz)
Voltage Regulation.....	±0.5%
Total harmonic TGH / THCat no load < 1,5 % - on load < 2 %	
Telephone Interference.....	THF<2%;TIF<50

PLC-920 Control System



1000094261-AP1-B3

PLC-920 is an advanced control module based on micro-processor designed to control the engine via a key switch and push buttons on the front panel. The module is used to start and stop the engine and indicate fault conditions, automatically shutting down the engine and giving a true first up fault condition of an engine failure.

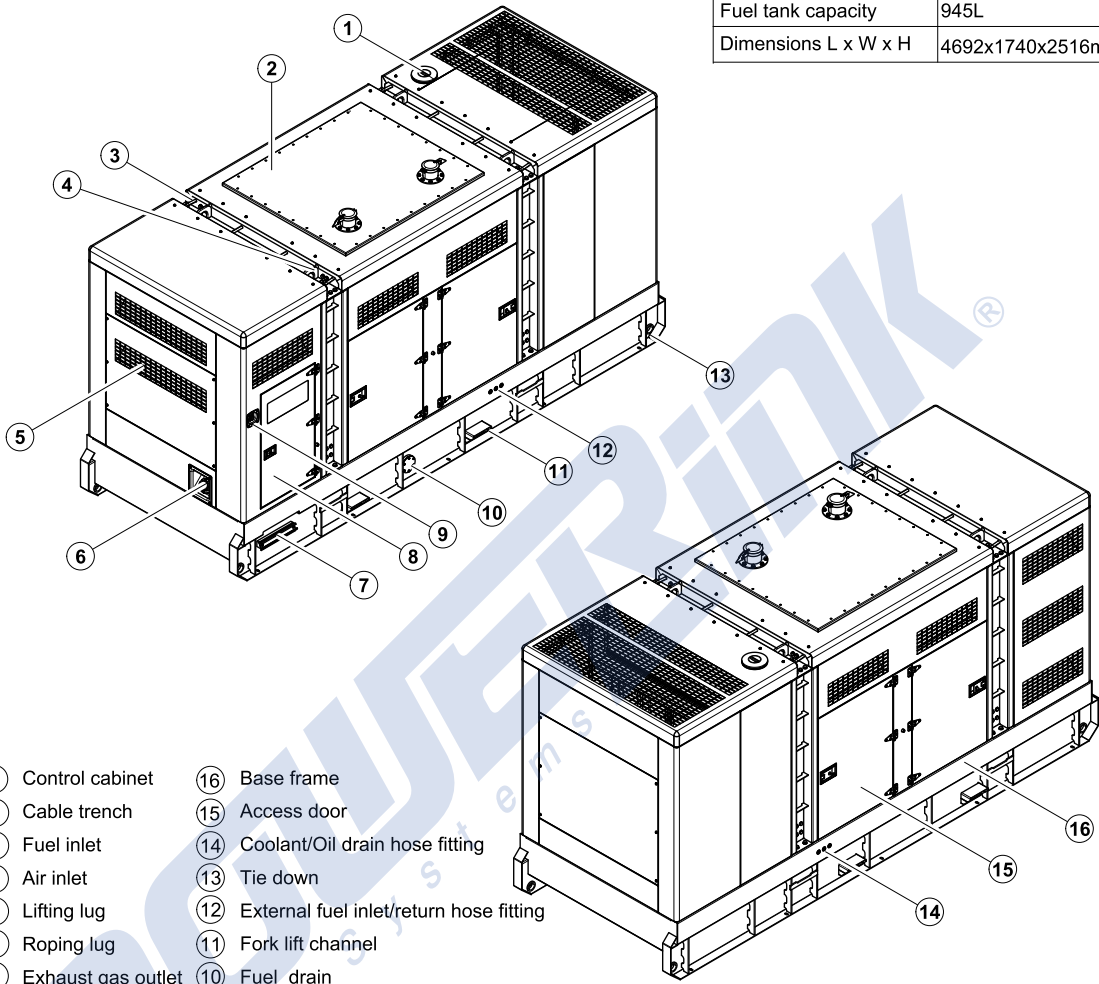
Standard Control Function

- Manual Engine Control Module
- Low Oil Pressure
- High Engine Temperature
- Auxiliary Shutdown
- Overspeed Protection
- Protection hold-off timer
- Charge Failure warning

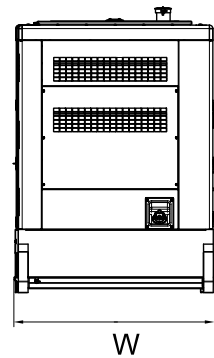
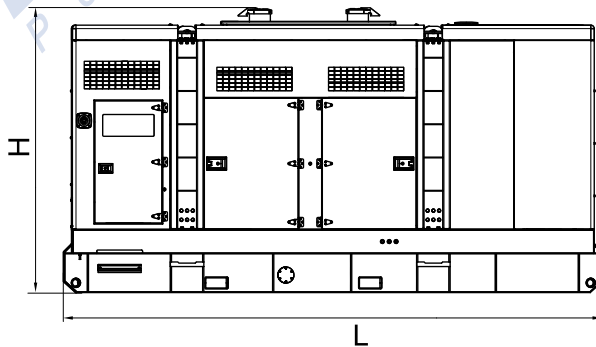
4 Overall Dimensions

1000008619-DR1-B2

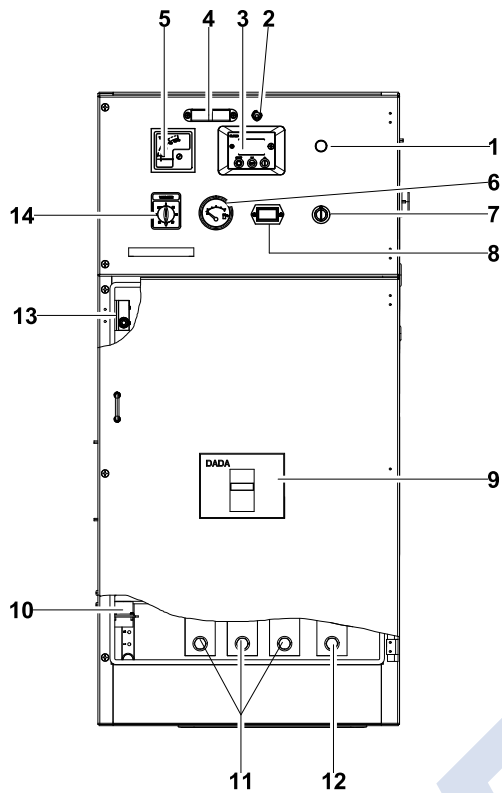
Dry weight	6427kg
Fuel tank capacity	945L
Dimensions L x W x H	4692x1740x2516mm



- ⑧ Control cabinet
- ⑦ Cable trench
- ⑥ Fuel inlet
- ⑤ Air inlet
- ④ Lifting lug
- ③ Roping lug
- ② Exhaust gas outlet
- ① Coolant inlet
- ⑬ Tie down
- ⑫ External fuel inlet/return hose fitting
- ⑪ Fork lift channel
- ⑩ Fuel drain
- ⑨ Emergency stop switch
- ⑯ Base frame
- ⑮ Access door
- ⑭ Coolant/Oil drain hose fitting
- ⑰ Access door

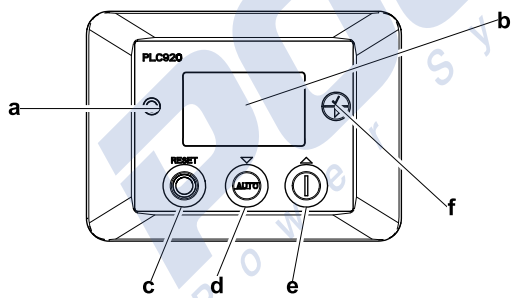


5 Control System



Control & field wiring cabinet

Ref.	Description
1	Charge indicator
2	Control cabinet lamp switch
3	Control module
4	Control cabinet lamp
5	Voltage meter
6	Fuel level meter
7	Key switch
8	Time counter
9	Main circuit breaker
10	Mains input /ATS /Remote communication connector
11	Live wire terminal
12	Neutral wire terminal
13	Limit switch
14	Voltmeter change-over switch



Control module

Ref.	Description
a	Alarm indicator
b	Main status display
c	Stop/reset button; Next page (Configuration mode only)
d	Auto start button; Decrease value/next item (Configuration mode only)
e	Start button; Increase value/next item (Configuration mode only)
f	Navigation button; Accept (Configuration mode only)

100008619-B2-E

04.2013

POWERLINK[®]
Power Systems

<http://www.powerlinkworld.com>

*Specification may change without prior notice. For more info.,
contact Power Link or your local distributors please.*