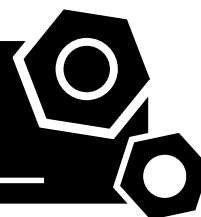


Generator set
Sound-proof type
WPS10S

SPECIFICATIONS



1 Standards & Conditions

Design Standards

The designs and the productions are in conformity with:

- Conformance European (CE)
- China Compulsory Certification (CCC)
- ISO8528-5:2005
- GB/T2820.5-2009

Environmental Operating Conditions

- Installation place: Outdoors or indoors (well ventilated).
- Ambient temperature: -25°C to 50°C. The coolant heater is needed when the temperature is below 5°C
- Humidity: Less than 80%.
- Altitude: Below one thousand (1000) meters.

Factory Inspection

- Inspection items.
- Protection devices working test.
- Starting ability in normal temperature.
- 50% rated power load moment capability.
- Voltage deviation and speed variation: 0%, 25%, 50%, 75%, 100%, 110% Load.

Painting Process

- Painting process specifications and colors are based on the manufacturer's standard.
- The customer could also choose the color which the manufacturer offers.

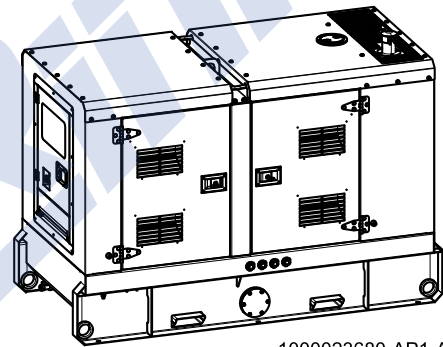
2 General Features

- Perkins engine 403A-11G1
- Close coupled to a MECC alternator ECP28-2VS/4
- Microprocessor control module PLC-920
- SCHNEIDER main circuit breaker: 16A
- Rotate speed governor: Mechanical governor
- Excitation system: Self excited, SHUNT
- A.V.R model: DSR
- Key switch
- ATS (automatic transfer switch) receptacle
- 1x12V/72AH sealed for life maintenance free battery

- Lockable battery isolator switch
- Powder coated canopy
- 50°C radiator
- Oil pump on the engine
- Steel base frame with lifting lugs
- Vibration isolators between the engine/alternator and base frame
- Dry type air filter
- Base fuel tank for 3H hours running
- Drain points for fuel tank
- Operation Manual / Specifications

3 Equipment Specification

General technical data

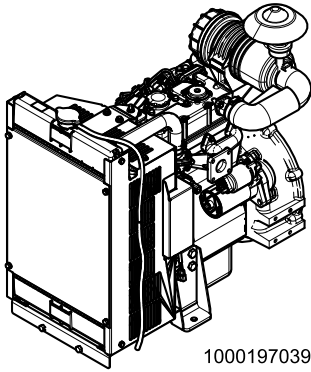


1000023680-AP1-A4

Model.....	WPS10S
Structure type	RS
Tank capacity.....	100L
Dry weight.....	665kg
Sound pressure level @ 1m/7m	N/A
Sound power acc. 2000/14/EC.....	N/A
Dimensions L×W×H.....	1832x880x1308mm
Standby Power	10kVA/8kW
Prime Power	9kVA/7kW

Voltage	380V	400V	415V	440V	
Ampere	13.7A	13.0A	12.6A	11.8A	
Genset Fuel Consumption					
Frequency/Load	25%	50%	75%	100%	110%
50Hz (L/h)	N/A	1.7	2.3	3.0	3.6

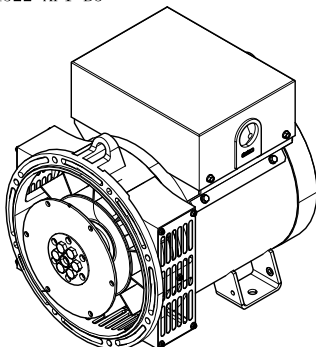
Dck Yf' GrghYa



1000197039-AP1-A1

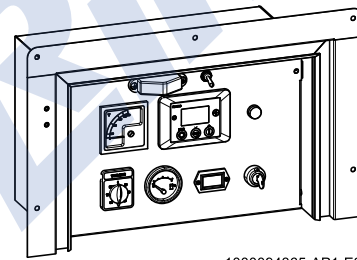
Engine Manufacturer/Brand.....	Perkins
Engine Model.....	403A-11G1
Dimensions L×W×H.....	775×438×702mm
Dry Weigh (approx.).....	129.2kg
Number of Cylinders.....	3
Bore.....	77mm
Stroke.....	81mm
Displacement.....	1.131L
Compression Ratio.....	23
Type of Injection.....	Indirect injection
Intake System.....	Natural aspirated
Intake Resistance.....	≤6.4kPa
Cooling System.....	Water cooled
Fan.....	Pusher
Battery Voltage.....	12V
Type of Fuel.....	EPA2D 89.330-96/CEC RF-06-99
Type of Oil.....	API-CH-4/ ACEA E5
Oil Capacity.....	4.9L
Type of Coolant.....	Glycol mixture
Coolant Capacity.....	5.2L
Back Pressure.....	≤10.2kPa
Standby Power.....	9.5kW
Prime Power.....	8.6kW
Fuel Consumption(100%load).....	3.0L/h

1000184522-AP1-B3



Alternator Manufacturer/Brand.....	Mecc alte
Alternator Model.....	ECP28-2VS/4
Exciter.....	Brushless
Cooling Fan.....	Cast alloy aluminum
Windings.....	100% copper
Insulation Class.....	H
Winding Pitch.....	2/3
Terminals.....	12
Drip Proof.....	IP23
Altitude.....	≤1000m
Overspeed.....	2250rpm
Air Flow.....	5.3m³/min(50Hz),5.8m³/min(60Hz)
Voltage Regulation.....	±1.0%
Total harmonic TGH / THCat no load < 1.5 % - on load < 5%	
Telephone Interference.....	THF<2%;TIF<45

PLC-920 Control System



1000094365-AP1-E2

PLC-920 is an advanced control module based on micro-processor designed to control the engine via a key switch and push buttons on the front panel. The module is used to start and stop the engine and indicate fault conditions, automatically shutting down the engine and giving a true first up fault condition of an engine failure.

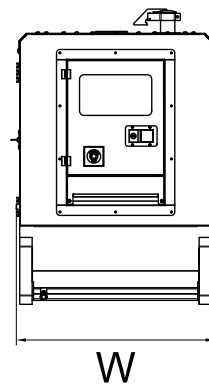
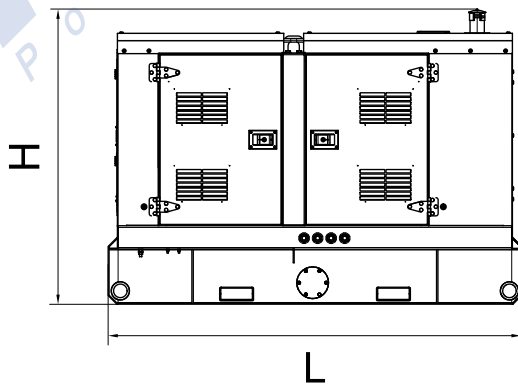
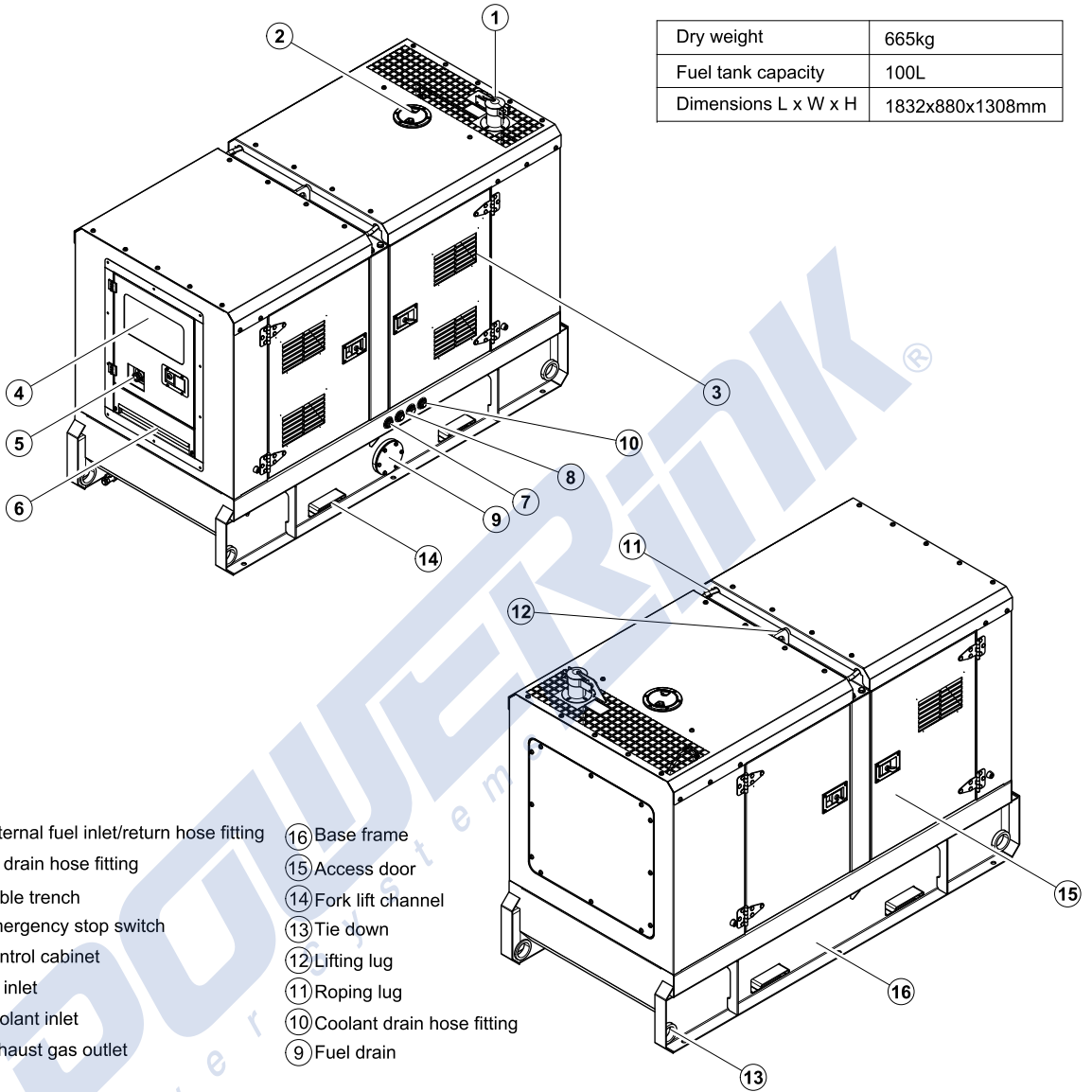
Standard Control Function

- Manual Engine Control Module
- Low Oil Pressure
- High Engine Temperature
- Auxiliary Shutdown
- Overspeed Protection
- Protection hold-off timer
- Charge Failure warning

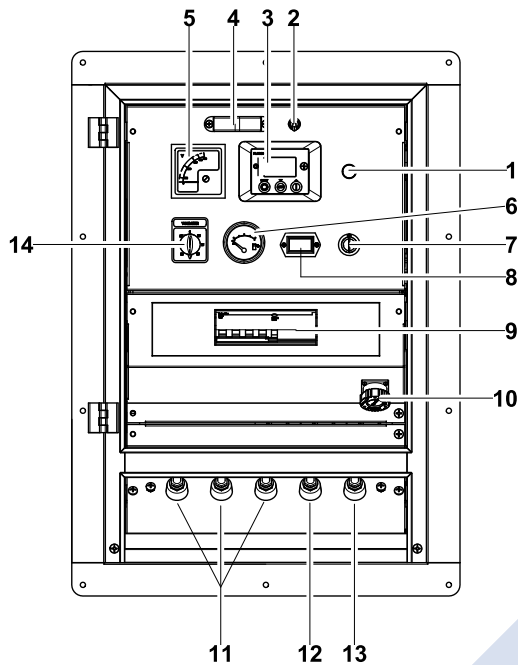
4 Overall Dimensions

1000023680-DR1-A4

Dry weight	665kg
Fuel tank capacity	100L
Dimensions L x W x H	1832x880x1308mm

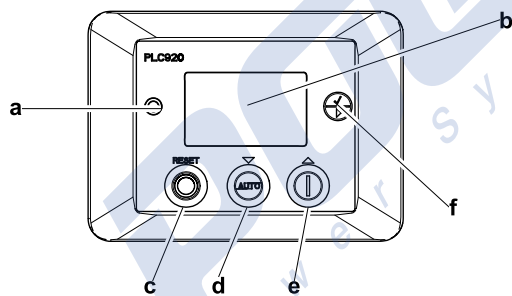


5 Control System



Ref.	Description
1	Charge indicator
2	Control cabinet lamp switch
3	Control module
4	Control cabinet lamp
5	Voltage meter
6	Fuel level meter
7	Key switch
8	Time counter
9	Main circuit breaker
10	Mains input /ATS /Remote communication connector
11	Live wire terminal
12	Neutral wire terminal
13	Ground wire terminal
14	Voltmeter change-over switch

Control & field wiring cabinet



Control module

Ref.	Description
a	Alarm indicator
b	Main status display
c	Stop/reset button; Next page (Configuration mode only)
d	Auto start button; Decrease value/next item (Configuration mode only)
e	Start button; Increase value/next item (Configuration mode only)
f	Navigation button; Accept (Configuration mode only)

1000023680-A4-E

11.2013

POWERLINK[®]
Power Systems

<http://www.powerlinkworld.com>

*Specification may change without prior notice. For more info.,
contact Power Link or your local distributors please.*