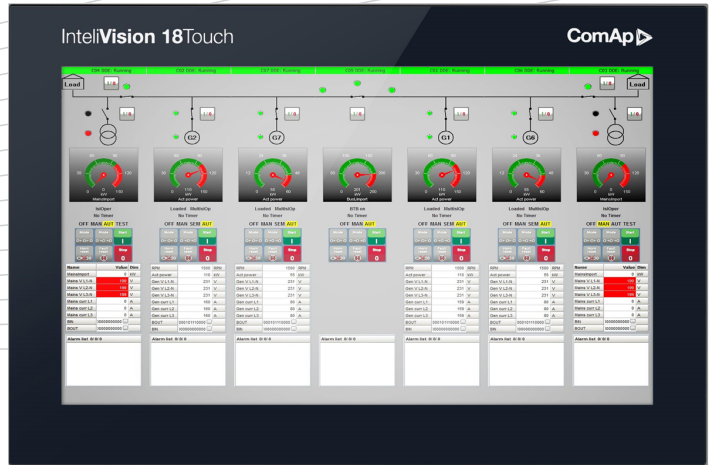


# InteliVision 18Touch



Order code: RD31840PBIE

## 18.5" display unit for ComAp controllers

# Datasheet

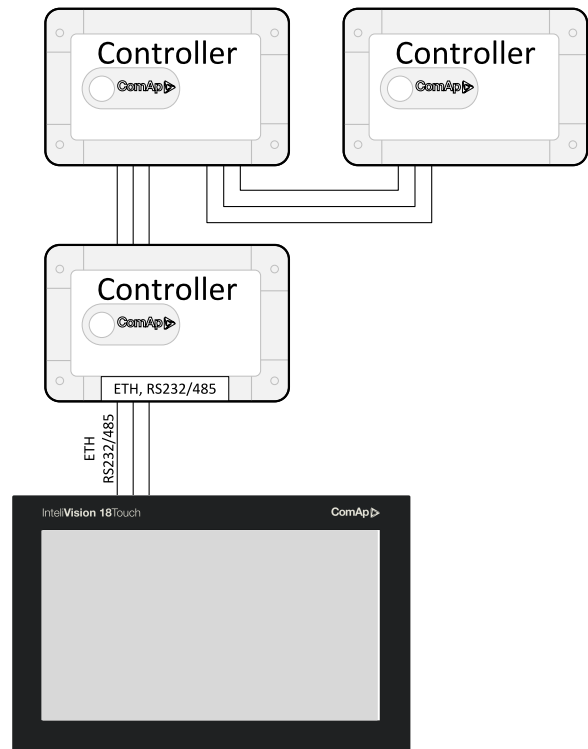
### Product description

The new InteliVision 18Touch is the natural successor to the InteliVision 17Touch. It is designed as an easy-to-use Windows based panel suitable for use with a wide range of ComAp controllers. InteliVision 18Touch features 18.5" LED backlit projected capacitive touchscreen with a resolution of 1366x768 pixels. Its front protection complies with IP66 and operating temperature extends from -10 °C to +60 °C. Smooth operation is ensured by powerful Intel processor. It is possible to connect it to ComAp controllers using Ethernet or RS232/RS485. Both mounting into a panel and onto a wall (VESA standard) are possible.

### Key features

- ▶ Powerful Intel® Celeron® quad core processor J1900
- ▶ Multitouch projected capacitive display
- ▶ 3 × USB, 2 x mini-PCIe sockets, 1 × CFast, 2 × RS232/422/485
- ▶ 32 GB SSD
- ▶ Front protection compliant with IP66
- ▶ Mounting support: panel/wall/stand/VESA 100mm × 100mm
- ▶ Power input 12-30 V DC
- ▶ Windows operating system

### Application overview



## Technical data

### Power supply

Power Supply Range	12-30 VDC
--------------------	-----------

### Operating conditions

Operating Temperature	-10°C to 60°C
Storage Temperature	-20°C to 75°C
Vibration	IEC 68 2-64 (w/ HDD) 1Gms @ sine, 5~500Hz, 1hr/axis (HDD operating) 2Gms @ sine, 5~500Hz, 1hr/axis (CFast operating) 2.2Gms @ random condition, 5~500Hz, 0.5hr/axis (non-operating)
Humidity	10%~90% relative humidity (non-condensing)
Shock	IEC 68 2-27 HDD: 20G@wall mount, half sine, 11ms

### Interfaces

Rear I/O	2 × RS232/422/485 2 × USB 2.0 1 × USB 3.0 VGA port: 1 × DB15 Audio port: 1 × Line-out Ethernet: 2 × RJ45, 10/100/1000 Base-Tx
----------	--

### System

CPU	Intel® Celeron® quad core J1900 2.0 GHz (2.42 GHz turbo boost)
Memory	4 GB RAM
Storage Device	1x 32 GB Solid-state-drive 1x External locked CFast socket
Expansion	2 x mini-PCIe sockets support optional Wi-Fi, 3.5G module or fieldbus card

### LCD specification

LCD panel	18,5" TFT-LCD
Resolution	1366 x 768 px
Luminance	300 cd/m <sup>2</sup>
Contrast Ratio	1000
Viewing Angle	170° (H) / 160° (V)
Backlight	LED

### Touchscreen

Type	Ten points P-Cap (Projected Capacitive Touch)
Light Transmission	87%
Anti-scratch Surface	7H hardness

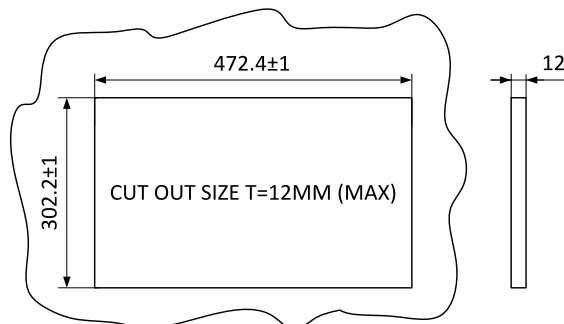
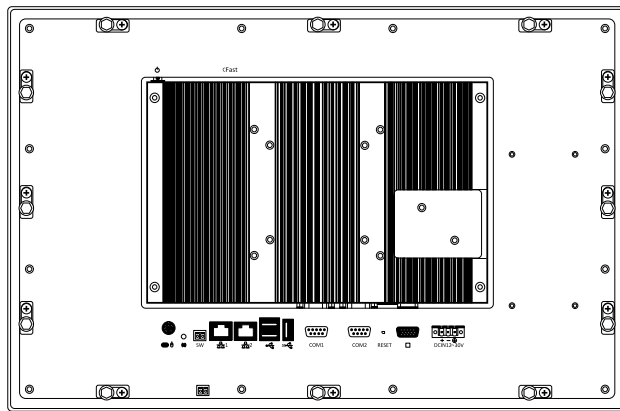
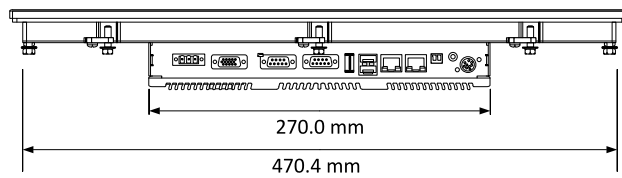
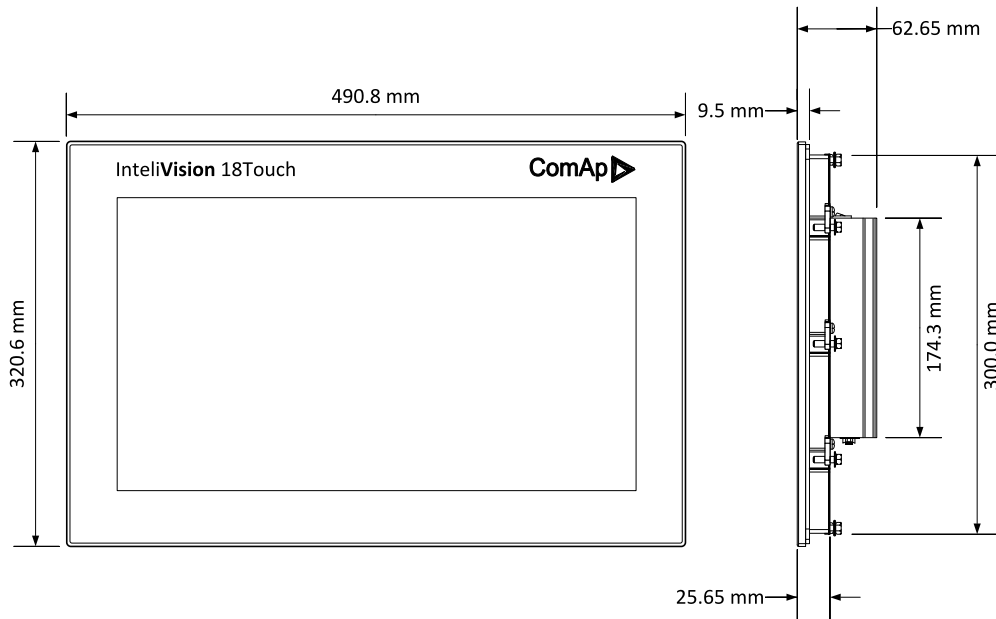
### Mechanical

Housing	IP66 (front)
Mounting	panel/wall/stand/VESA 100mm x 100mm
Weight	8.2 kg
Dimensions	490.8 x 320.6 x 62.65mm

### Operating system

OS	Windows Embedded Standard 7/ Windows 10 IoT Enterprise – 2019 LTSC – EPKEA – Entry – Runtime
----	--

## Dimensions, terminals and mounting



## Related products

Product	Description	Order code
InteliSys Gas	Industrial grade controller for gas gen-set based CHPs and power generation applications	<a href="#">I2GASXXBAB</a>
InteliSys <sup>NTC</sup> BaseBox	Premium Parallel Gen-set Controller	<a href="#">IS-NTC-BB</a>
InteliGen <sup>NTC</sup> BaseBox	Complex Parallel Gen-set Controller	<a href="#">IG-NTC-BB</a>
InteliMains <sup>NTC</sup> BaseBox	Mains Supervision Controller Base Unit	<a href="#">IM-NTC-BB</a>
InteliGen <sup>NT</sup>	Complex Parallel Gen-set Controller	<a href="#">IG-NT GC</a>
InteliSys <sup>NTC</sup> Hybrid	Hybrid system controller	<a href="#">IS-NTC HYBRID</a>
InteliMains <sup>NT</sup>	Mains Supervision Controller	<a href="#">IM-NT GC</a>
InteliDrive DCU Marine	Modular Certified Engine Controller for Marine Applications	<a href="#">ID-DCU MARINE</a>
InteliGen <sup>NT</sup> BaseBox	Complex Parallel Gen-set Controller with Detachable Colour Display	<a href="#">IG-NT-BB</a>
InteliLite <sup>NT</sup> MRS 15	Manual Remote Start (MRS) Gen-set Controller	<a href="#">IL-NT MRS15</a>
InteliCompact <sup>NT</sup> MINT	Genset Controller for Gensets in Multiple Parallel Applications	<a href="#">IC-NT MINT</a>
InteliLite AMF 25	New generation of the most advanced Auto Mains Failure (AMF) gen-set controller	<a href="#">IL3AMF25BAA</a>

## Certificates and standards

<ul style="list-style-type: none"> <li>▶ CE</li> <li>▶ FCC class A</li> </ul>			 <p>I.T.E 15CR E465230</p>
---	---	--	---

